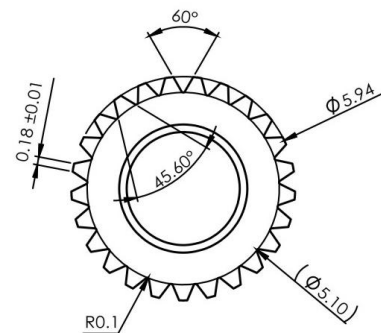
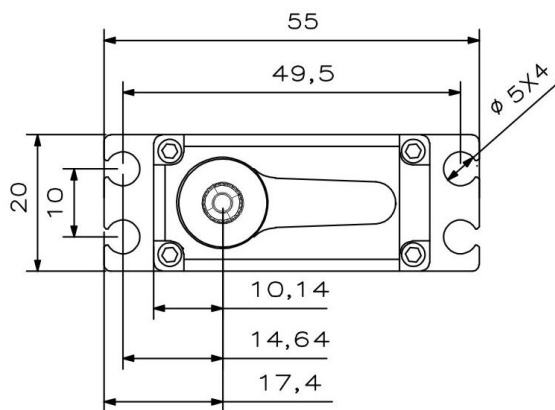
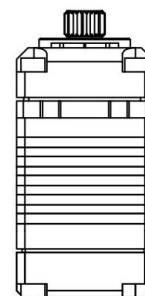
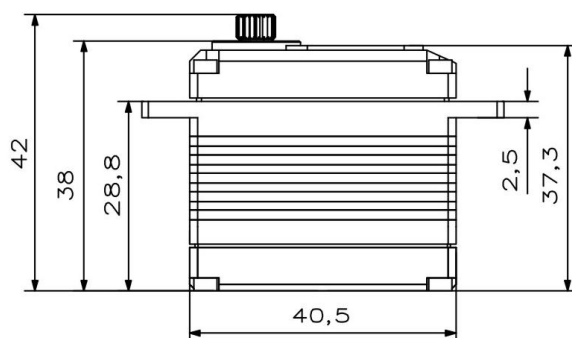


# MS2208

## Technical Specification



25T



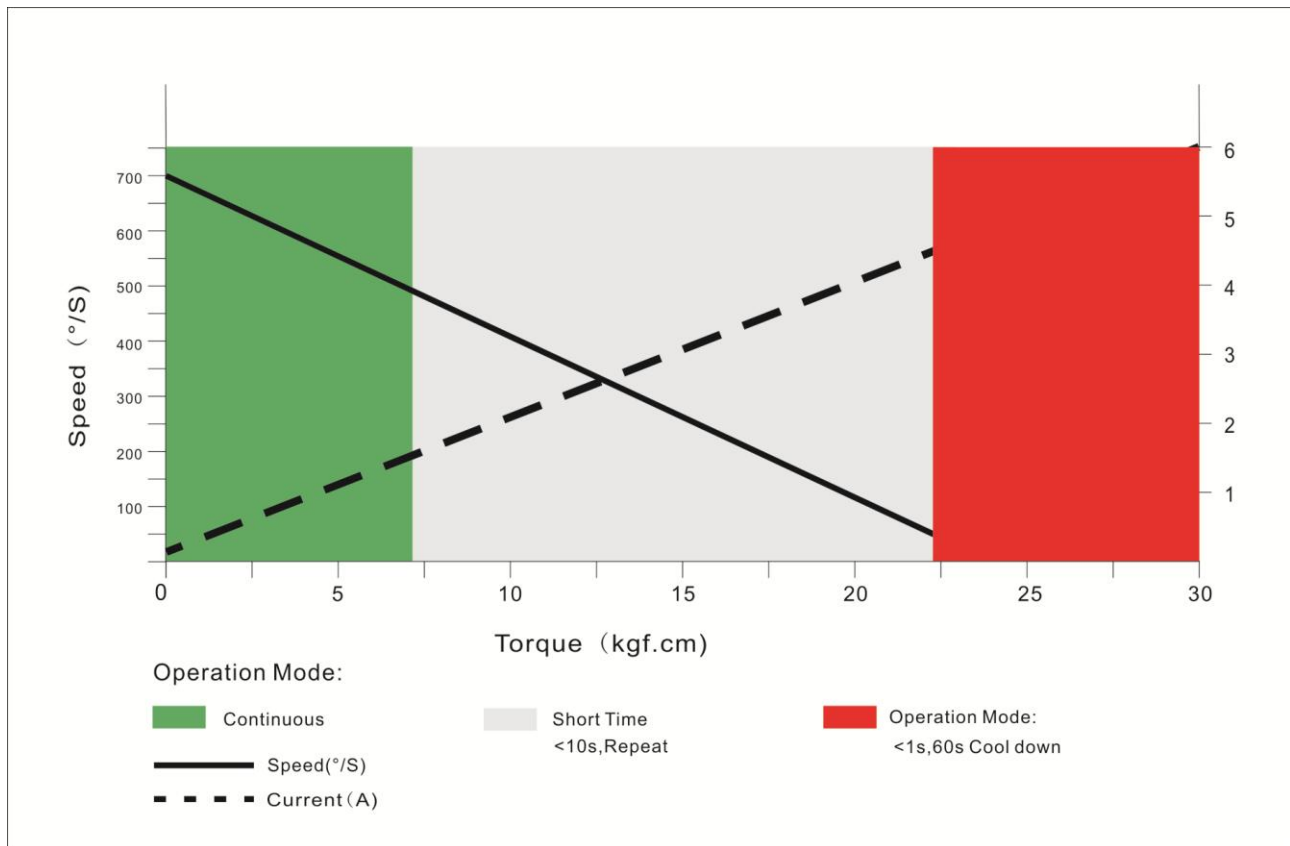
# Operating Data

	<b>MS2208</b>
<b>Operation Voltage(rated)</b>	DC7.4V
<b>Operation Voltage Range</b>	DC6.0V-8.4V
<b>Torque</b>	18Kg.cm@6.0V
	22Kg.cm@7.4V
	25Kg.cm@8.4V
<b>Speed</b>	0.09sec/60 °@6.0V
	0.08sec/60 °@7.4V
	0.07sec/60 °@8.4V
<b>Travel Angle</b>	± 100° when 500-2500us ± 50° when 1000-2000us
<b>Operating Temperature Range</b>	-10℃……+65℃

## Performance

MS2208

@7.4V



# PWM Command Signal

PWM	MS2208
Signal Voltage	TTL-Level: HIGH:min.3.3V,max.5.0V TTL-Level: Low:min.0.0V,max.1.5V
Pulse Lengths	500-2500us
Pulse Lengths for Position -100° /center/+100°	500us/1500us/2500us
Resolution	<2us

## Materials and protective features

Case Material	Aluminum Alloy
Splash Surface Treatment	
Salt Water Resistance	
EMI/RFI Shielding	
Motor Type	Brushless
Gear Set Material	Steel
Position Sensor	Contactless
Position Feedback	Optional
Shielded Connecting Cable	

## Dimensions

Case Dimensions	40.5*20*38mm
Weight	72g