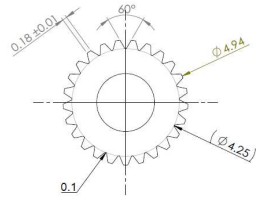
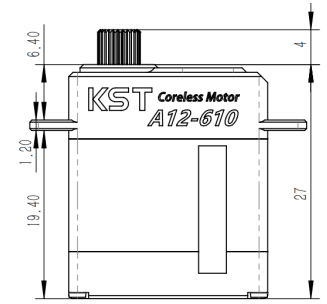
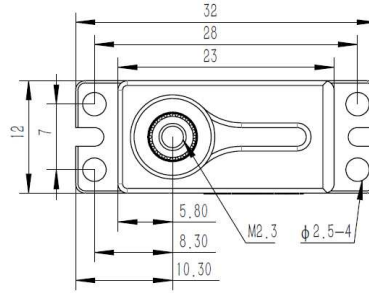


A12-610 Technical Specification



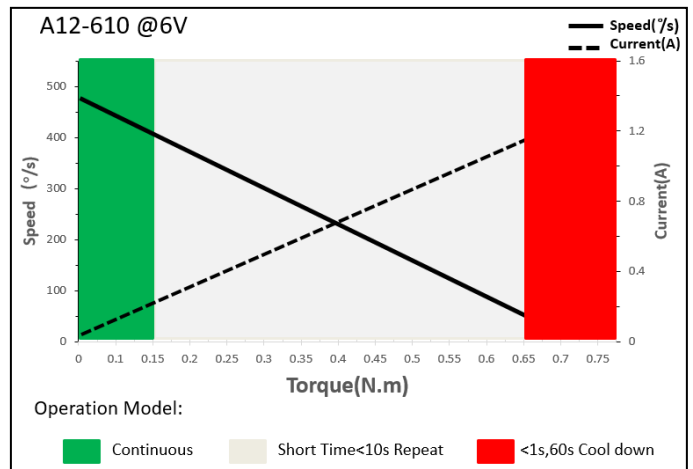
25T5mm Output Shaft Spline



1. Operating Data

A12-610	
Rated Voltage	DC7.4V
Voltage Range	DC4.8V-8.4V
Torque	0.55N.m@4.8V
	0.65N.m@6.0V
	0.80N.m@7.4V
	0.9M.m@8.4V
Speed	0.13sec/60°@4.8V
	0.12sec/60°@6.0V
	0.11sec/60°@7.4V
	0.10sec/60°@8.4V
Working Frequency	1520us/333Hz
Default Travel Angle	±50° = 100° Total
Temperature Range	-10°C+65°C
Case Material	Aluminum Alloy
Motor Type	Coreless DC Motor
Gear Set Material	Hardened Steel
Position Sensor	Potentiometer
Case Dimensions	23mm*12mm*27mm±0.2mm
Weight	20g±10%

2. Performance



3. Command signal

PWM Command Interface

Signal Voltage	HIGH: min.3.3V, max.5.0V Low: min.0.0V, max.1.5V
Pulse Lengths	800us-2200us
Pulse Lengths for Position -50°/ 0°/+50°	1000us/1500us/2000us

4. Electrical Connection

 3 2 1	Pin Assignment			
	1	Orange	Signal	PWM Command
	2	Red	DC+	Supply Voltage
	3	Brown	DC-	Supply Ground

5. Item Number System

A	12 - 610
Servo Class	Servo Type
12mm Class	610