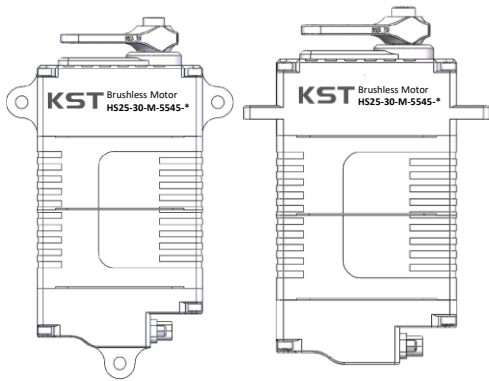
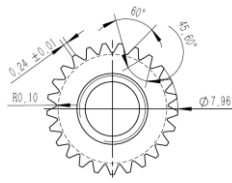


HS25-30-M-5545-x Technical Specification

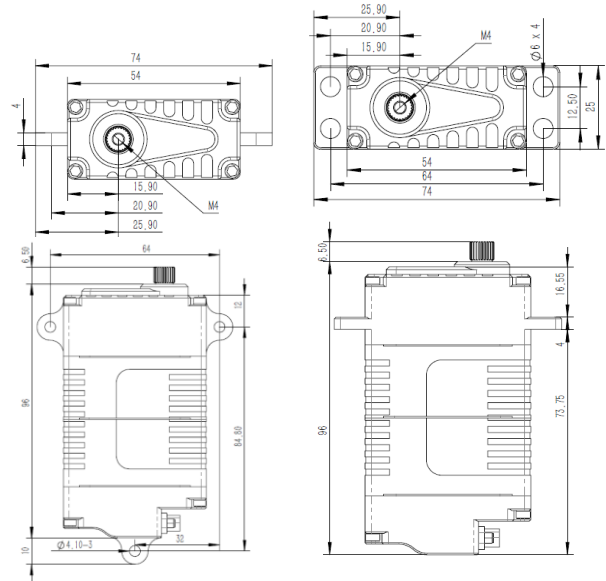


Version A

Version B



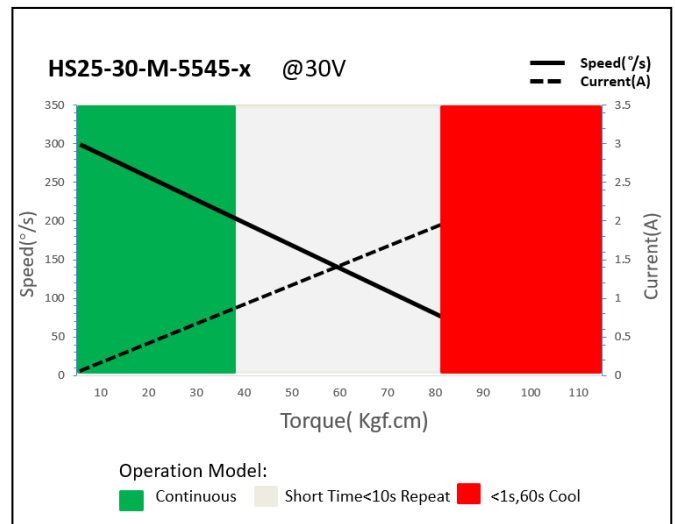
25T 8mm
Output Shaft Spline



1. Servo Data

Rated Voltage	DC30V	
Voltage Range	DC24V-32V	
Stalling Torque	80Kgf.cm@30V	
Rated Torque	38Kgf.cm@30V	
Stalling Current	2.00A	
Rated Current	0.95A	
No-load Speed	300°/s @25°C/30v	
Rated Speed	200°/s @25°C/30v	
Default Travel Angle	±100° = 200° total travel	
Operating Temperature Range	-30°C.....+65°C	
Case Material	Aluminum Alloy 7075	
Motor Type	Brushless DC Motor	
Gear Set Material	Hardened Steel	
Position Sensor	Contactless	
Shielded Connecting Cable	J30J-9TJL/1500mm	
Ball Bearing	6BB	
Version A	Case Dimensions	54mm*25mm*96mm(±0.2mm)
	Weight	300g (±10%)
Version B	Case Dimensions	54mm*25mm*96mm(±0.2mm)
	Weight	300g (±10%)

2. Performance



3. Command Signal

3.1 PWM Command Interface

Signal Voltage	HIGH:min.3.3V,max.5.0V Low:min.0.0V,max.1.5V
Pulse Lengths	500us-2500us
Pulse Lengths for Position	500us/1500us/2500us -100° 0°+100°

3.2 RS485 / RS422 Command Interface

Baud-Rate	115200 ±1.5% bits/s
Protocol (Documentation available)	10 Byte (incl. 1 byte Check Sum)

3.2.1 RS485 / RS422 Protocol Specifications

Number of Data Bits	8
Number of Stop Bits	1
Parity	None

Command / Response Frame

Byte #	Description	Byte #	Description
1	Frame Head(0xFE)	6	Data
2	Version(0xCA)	7	Data
3	Address	8	Data
4	Command code	9	Check Sum
5	Data	10	(0A)Frame End

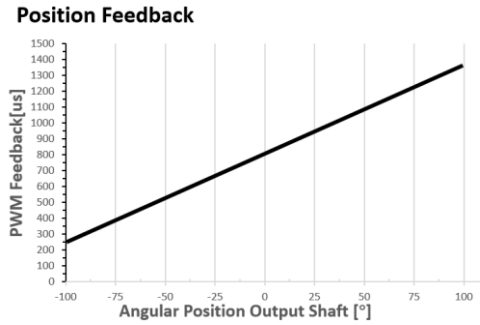
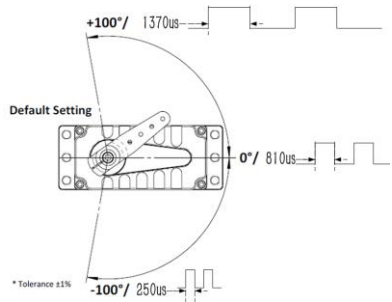
3.3 CAN Bus Command Interface

Baud-Rate	500Kbps	Communication	3.1: CAN Open standard frame
Node number	0 x25 (range 1 ~ 127, 0 is radio)		3.2: CAN Extended frame

3.4. Feedback Signal

3.4.1 Position Feedback Signal (PWM Versions)

The Position Feedback signal is an output signal with a square wave which is directly related to the output shaft's angular position. Reference is Supply Ground.



3.4.2 Feedback Value (Bus Version)

Integrated in the Bus protocol a Feedback Value, including the Angle position, Temperature, current value. Value read by sending request command. Provide the details of the bus in the document.

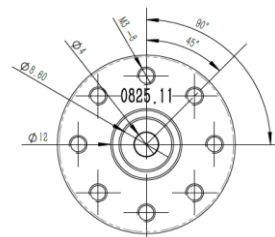
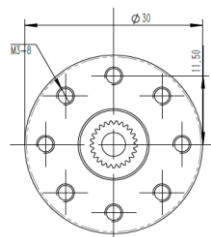
4. Industrial Standard J30J-9ZKP electrical Connector

Assignment PWM	Assignment RS485	Assignment CAN	Assignment RS422					
				1	2	3	4	5
1	1	1	1					
2	2	2	2					
3	3	3	3					
4	4	4	4					
5	5	5	5					
6	6	6	6					
7	7	7	7					
8	8	8	8					
9	9	9	9					

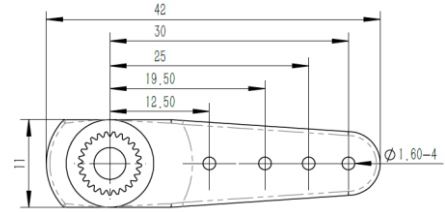
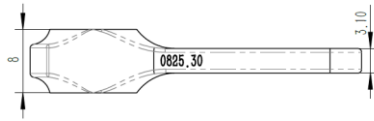
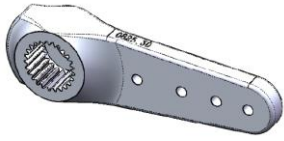
5. Accessories List

Model	Output Shaft Spline	Item	Item No.
HS25-30-M-5545-X	25T 8mm	Aluminum Servo Disc	0825.11
		Aluminum Servo Arm (Single side)	0825.30

Item No.: 0825.11



Item No.: 0825.30



6. Item Number System

