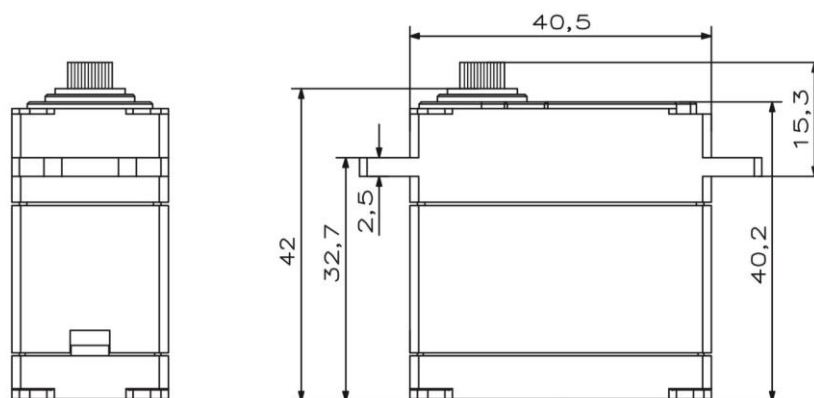
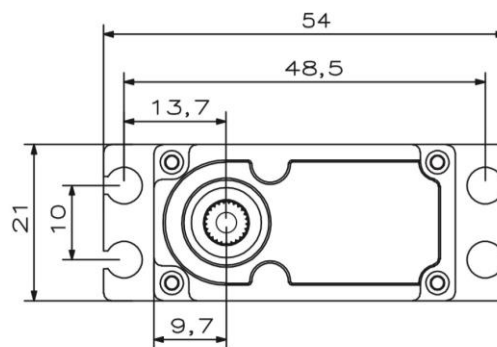


# X20-8.4-50

## Technical Specification



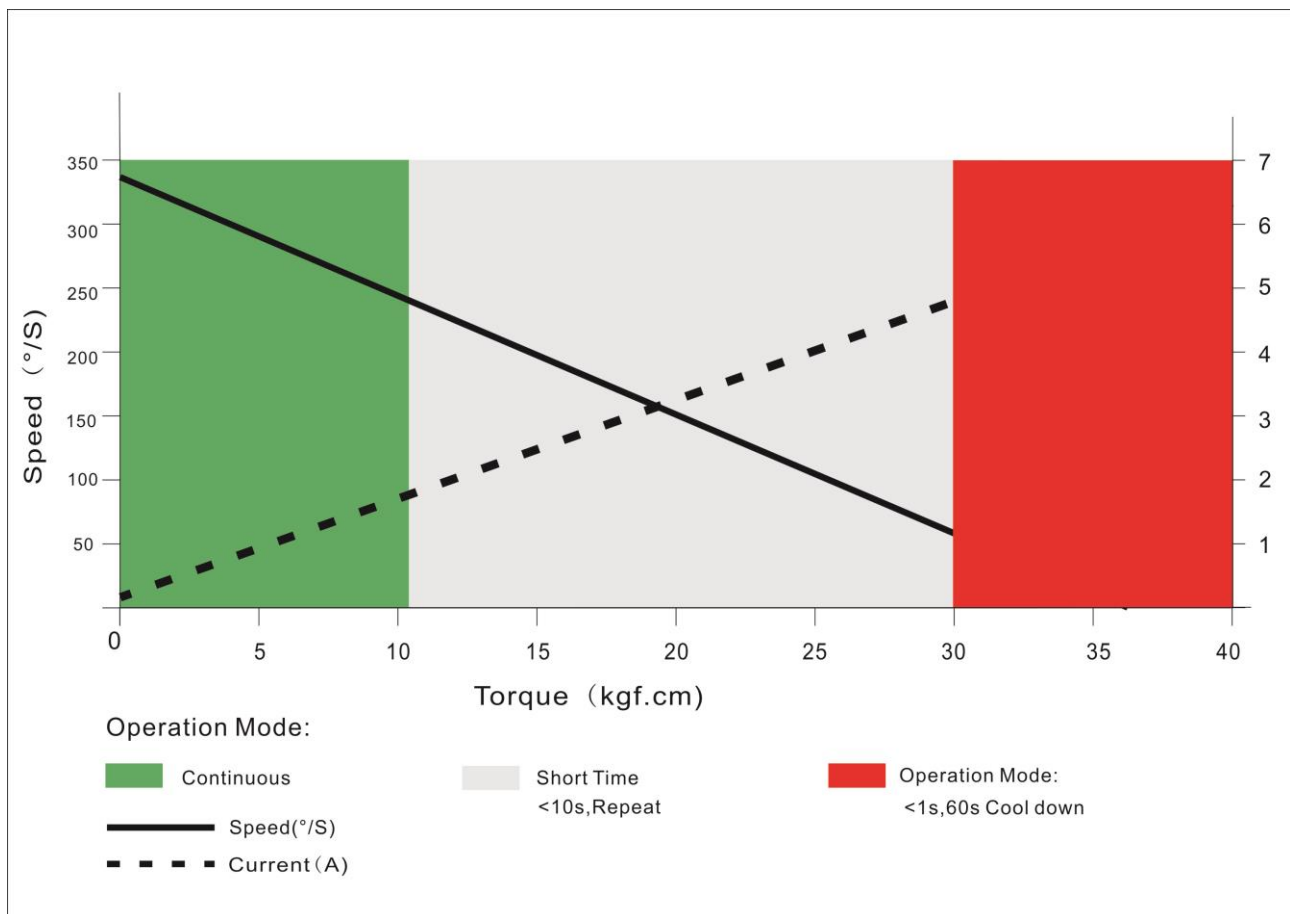
## Operating Data

	<b>X20-8.4-50</b>
<b>Operation Voltage(rated)</b>	DC7.4V
<b>Operation Voltage Range</b>	DC6.0V-8.4V
<b>Torque</b>	38Kg.cm@6.0V
	42Kg.cm@7.4V
	45Kg.cm@8.4V
<b>Speed</b>	0.20sec/60 °@6.0V
	0.17sec /60 °@7.4V
	0.15sec /60 °@8.4V
<b>Travel Angle</b>	± 50° when 1000-2000us
<b>Operating Temperature Range</b>	-10℃……+65℃

## Performance

**X20-8.4-50**

**@7.4V**



# PWM Command Signal

PWM	X20-8.4-50
Signal Voltage	TTL-Level: HIGH:min.3.3V,max.5.0V TTL-Level: Low:min.0.0V,max.1.5V
Pulse Lengths	900-2100us
Pulse Lengths for Position $-50^{\circ}$ /center/ $+50^{\circ}$	1000us/1500us/2000us
Resolution	$\leq 2\mu s$

## Materials and protective features

Case Material	Aluminum Alloy
Motor Type	Coreless
Gear Set Material	Hardened Steel
Position Sensor	Potentiometer
Position Feedback	Optional (PWM Signal,305Hz, 5mA)
Connecting Cable	

## Dimensions

Case Dimensions	40.5*21*42mm
Weight	78g